

## Type PC6 Load Cell



Flintec load cells are designed to meet the most stringent accuracy requirements. Certifications have been obtained from Weights & Measures Authorities, worldwide. PC6 platform load cells are available in the capacities 20 kg to 200 kg and include Accuracy Classifications GP, C3 and C4 according to OIML R 60.

They offer total stainless steel construction and complete hermetic sealing, making them suitable for use in the toughest industrial environments.

Designed to withstand shock and fatigue loading.

The off center load performance according OIML allows a maximum platform size of 600 × 600 mm.

### Important Features

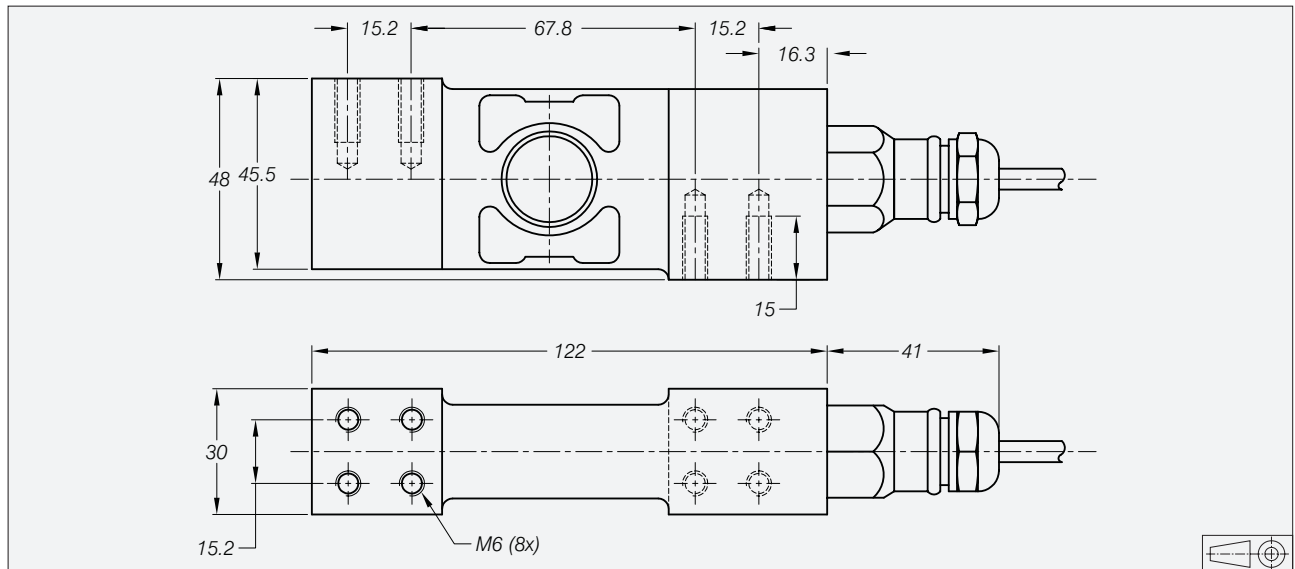
- Capacities: 20 kg to 200 kg.
- High accuracy.
- Total stainless steel construction.
- Complete hermetic sealing.
- Protection IP 68.
- Maximum platform size 600 × 600 mm.
- Integral mounting spacer.
- High input resistance: 1100 Ω.
- Easy cable replacement.
- Factory mutual approved.

### Option

- Explosion proof EEx ia IIC T6...T4.

## PC6 Specifications

Maximum capacity (=E <sub>max</sub> )	kg	20 / 50 / 100 / 200	50 / 100 / 200	
Rated Output (=RO)	mV/V	2 ± 5%		
Accuracy class according to OIML R 60		(GP)	C3	C4
Maximum number of verification intervals (n)		n.a.	3000	4000
Minimum load cell verification interval (v <sub>min</sub> )		n.a.	E <sub>max</sub> /10000	
Combined error	%RO	≤ ± 0.040	≤ ± 0.020	≤ ± 0.018
Creep error (30 minutes)	%RO	≤ ± 0.060	≤ ± 0.024	≤ ± 0.018
Temperature effect on minimum dead load output	%RO/°C	≤ ± 0.0040	≤ ± 0.0012	≤ ± 0.0012
Temperature effect on sensitivity	%/°C	≤ ± 0.0020	≤ ± 0.0011	≤ ± 0.008
Excitation voltage	V	5...15		
Zero balance	%RO	≤ ± 1.0		
Input resistance	Ω	1106 ± 10		
Output resistance	Ω	960 ± 50		
Insulation resistance	MΩ	≥ 5000		
Compensated temperature range	°C	-10... +40		
Operating temperature range	°C	-40... +80		
Safe load limit	%E <sub>max</sub>	200		
Ultimate load	%E <sub>max</sub>	300		
Safe side load	%E <sub>max</sub>	100		
Maximum platform size; loading according OIML	mm	600 × 600		
Maximum off center distance at maximum capacity	mm	200		
Load cell material		stainless steel 17-4 PH (1.4548)		
Sealing		complete hermetic sealing; cable entry sealed by glass to metal header		
Protection according DIN 40.050		IP 68		



## Wiring

- The load cell is provided with a shielded, 4 conductor cable.
- Cable length: 3 m.
- Cable diameter: 5 mm.
- The shield is floating.

